



TYGER TUBE DOOR

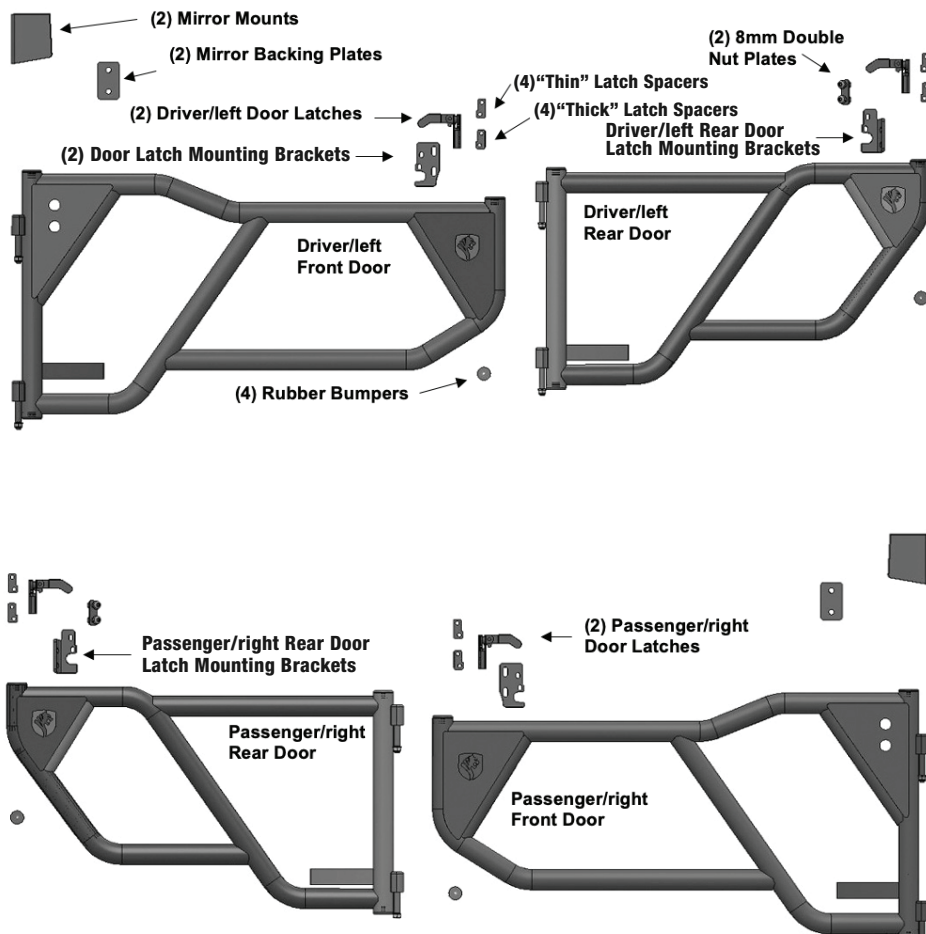
TG-DR4J62288

BEFORE INSTALLATION

READ INSTRUCTIONS CAREFULLY BEFORE STARTING INSTALLATION. REMOVE CONTENTS FROM BOX AND VERIFY ALL PARTS ARE PRESENT. FAILURE TO IDENTIFY DAMAGE BEFORE INSTALLATION COULD LEAD TO A REJECTION OF ANY CLAIM. IF MISSING PARTS OR ANY DAMAGE FOUND, PLEASE TAKE A PICTURE FOR THE CLAIM PURPOSE. TO FILE YOUR CLAIM, PLEASE VISIT: WWW.TYGERAUTO.COM/CONTACT

TORQUE VALUES

Fastener Size	Class 8.8 Torque (ft-lbs)	Class 10.9 Torque (ft-lbs)
6mm	6-7	6-7
8mm	15-16	22-23
10mm	31-32	44-45
12mm	54-55	78-79
14mm	87-88	125-126



Parts List

- x1 Driver/left Front Door
- x1 Passenger/right Front Door
- x1 Driver/left Rear Door
- x1 Passenger/right Rear Door
- x2 Mirror Relocation Brackets
- x2 Mirror Backing Plates
- x2 Driver/left Latch Assembly
- x2 Passenger/right Latch Assembly
- x4 Thin Latch Spacers
- x4 Thick Latch Spacers
- x2 Front Door Latch Mount Brackets (L or R)
- x1 Driver/left Rear Door Mount Bracket
- x1 Passenger/right Rear Door Mount Bracket
- x4 Rubber Bumper Door Stops
- x2 8mm Double Nut Plates
- x8 8-1.25mm x 25mm Button Head Bolts
- x20 8mm x 16mm x 1.6mm Flat Washers
- x4 8mm Lock Washers
- x12 8mm Nylon Lock Nuts
- x8 6mm x 25mm Button Head Bolts
- x8 6mm x 12mm x 1.6mm Flat Washers
- x8 6mm Lock Washers
- x12 5mm x 18mm x 2mm Flat Washers
- x4 4mm x 20mm Button Head Bolts
- x1 4mm Wrench
- x1 2.5mm Wrench



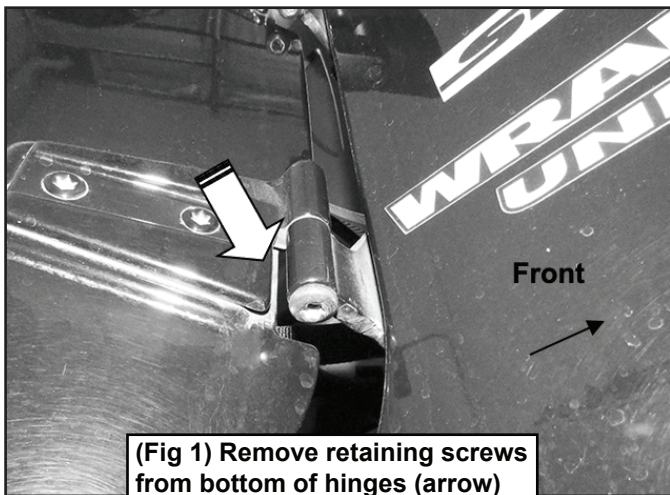
PROCEDURE:

REMOVE CONTENTS FROM BOX. VERIFY ALL PARTS ARE PRESENT. READ INSTRUCTIONS CAREFULLY BEFORE STARTING INSTALLATION. ASSISTANCE IS RECOMMENDED.

STEP 1

Start installation at the passenger/right front door. Roll window down fully into door. Remove the retaining screws from the bottom of the (2) outer door hinges (Fig 1).

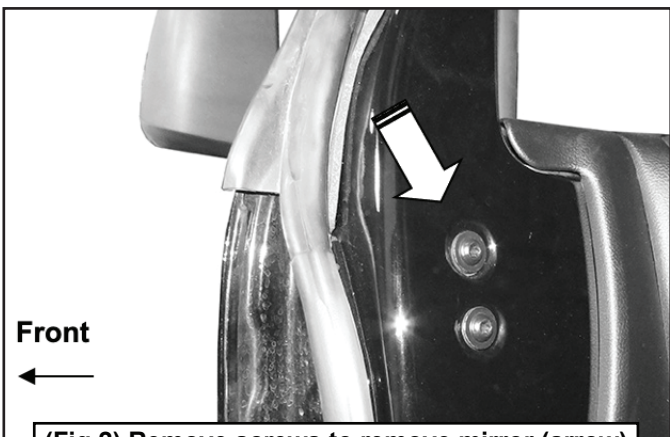
Passenger/Right Side Installation Pictured



(Fig 1) Remove retaining screws from bottom of hinges (arrow)

STEP 2

Open the door and remove the (2) bolts to remove the outer mirror assembly (Fig 2).

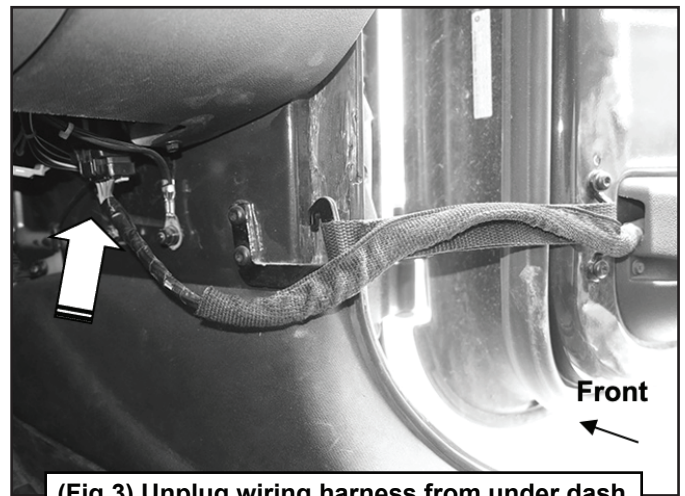


(Fig 2) Remove screws to remove mirror (arrow)

STEP 3

On models with power/heated mirrors or power windows, unplug the wiring harness leading from the door to under the dash (Fig 3).

Passenger/Right Side Installation Pictured



(Fig 3) Unplug wiring harness from under dash if equipped, (arrow). Release door stop strap

STEP 4

Release the limit strap from the hook on the mounting bracket (Fig 3).

IMPORTANT: To prevent the door from swinging fully open and possible damage, have someone hold door in place after limit strap is removed.

STEP 5

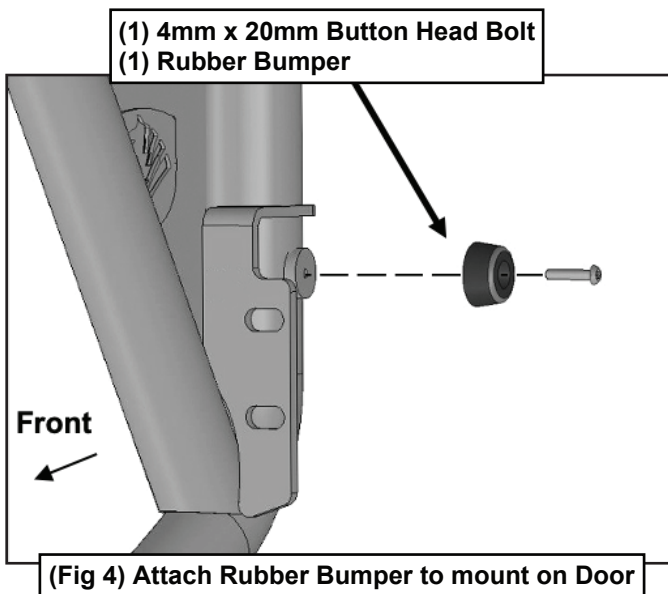
Insert arm through open window, open door slightly and lift door straight up and out from hinges. Move door to a clean stable surface.



STEP 6

Carefully unwrap the Passenger/right Front Door Assembly. Select (1) Rubber Bumper. Attach the Bumper to the mounting pad on the inside of the door with (1) 4mm x 20mm Button Head Bolt (Fig 4). DO NOT overtighten Bolt or damage to Bumper could result.

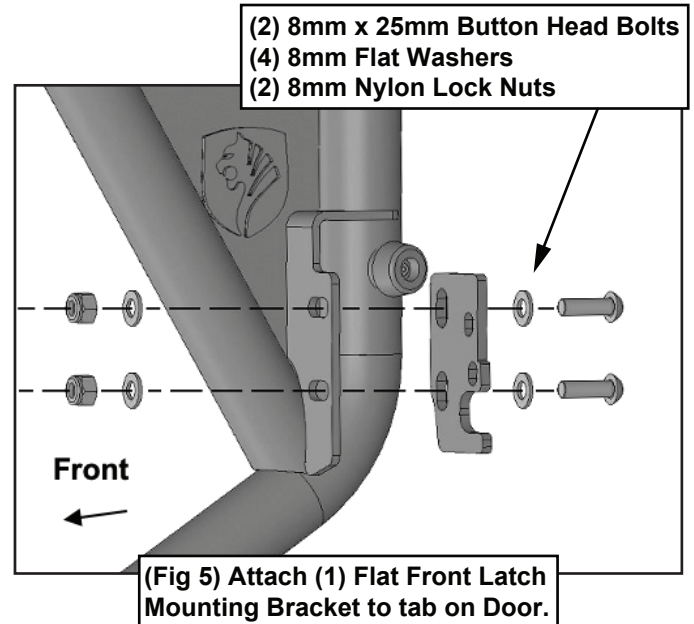
Passenger/Right Side Installation Pictured



STEP 7

Select (1) flat Front Latch Mounting Bracket (Fig 5). Attach the Bracket to the rear of the plate welded on the inside of the Tube Door with the included (2) 8mm x 25mm Button Head Bolts, (4) 8mm Flat Washers and (2) 8mm Nylon Lock Nuts. DO NOT fully tighten hardware at this time.

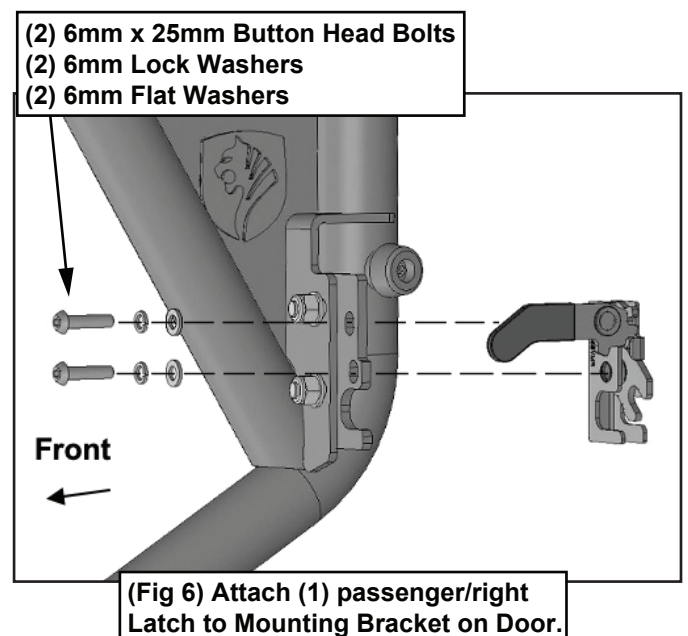
Passenger/Right Side Installation Pictured



STEP 8

Select (1) passenger/right Latch Assembly (Fig 6). Attach the Latch to the back of the Mounting Bracket with (2) 6mm x 25mm Button Head Bolts, (2) 6mm Lock Washers and (2) 6mm Flat Washers. DO NOT fully tighten hardware.

Passenger/Right Side Installation Pictured

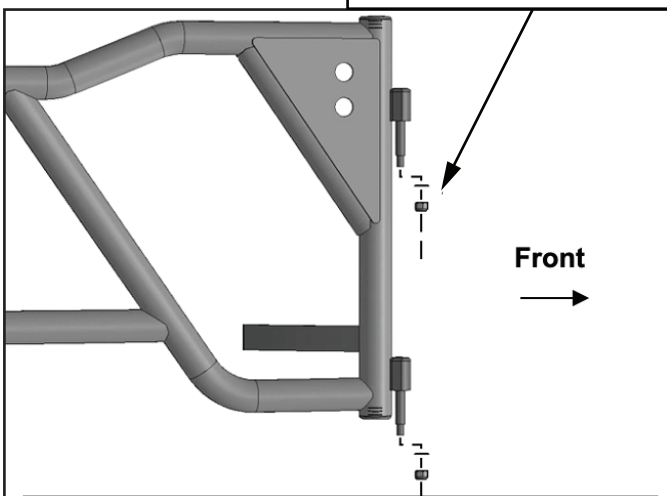




STEP 9

Apply a thin coating of waterproof grease, (not included), to the Hinge Pins on Door. Hold the Door in place over the hinges and guide the Pins down into the hinges. Secure each Pin to the hinge with (1) 8mm Flat Washer and (1) 8mm Nylon Lock Nut (Fig 7). Leave Lock Nut loose at this time.

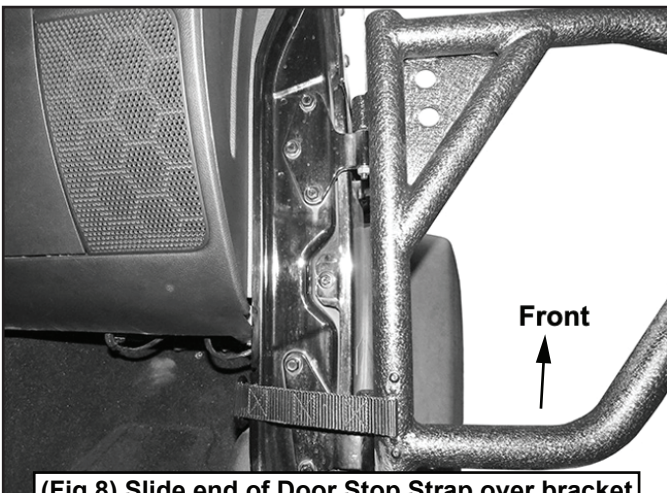
(2) 8mm Flat Washers
(2) 8mm Nylon Lock Nuts



(Fig 7) Attach Passenger/right front Door to hinges

STEP 10

Attach the Door Limit Strap to the bracket on the vehicle (Fig 8).



(Fig 8) Slide end of Door Stop Strap over bracket

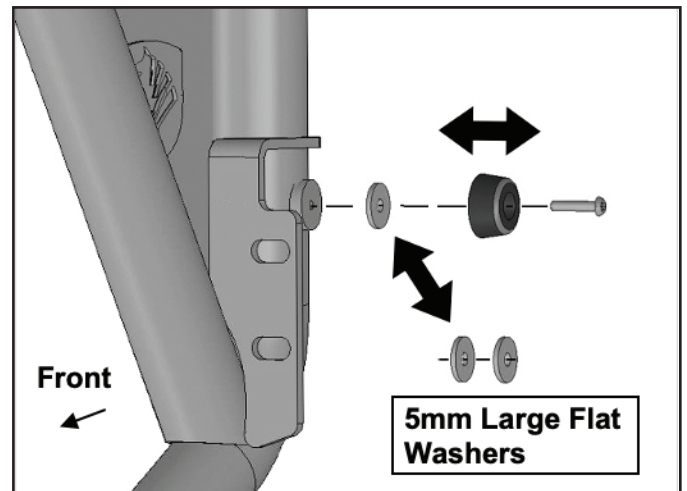
STEP 11

Slowly swing the Door open and closed a few times to spread grease through hinge. Wipe off any excess grease immediately.

STEP 12

Use the included 5mm Large Flat Washers as adjustment shims to tighten up the Door against the striker as needed (Fig 9). Insert the Washers between the Rubber Bumper and the mount on the Door. Once Door is fully adjusted, tighten the bottom 8mm Lock Nuts on the Hinges until there is slight resistance in the door operation. DO NOT fully tighten Lock Nuts.

Passenger/Right Side Installation Pictured



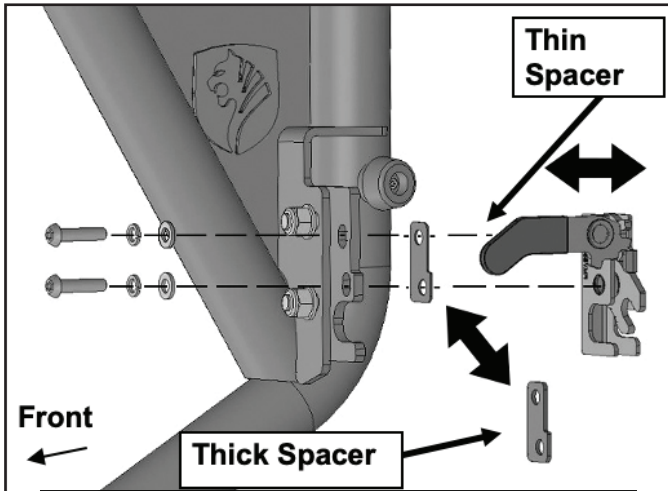
(Fig 9) Use Flat Washers as necessary to adjust fit of Door and Door Latch to vehicle

STEP 13

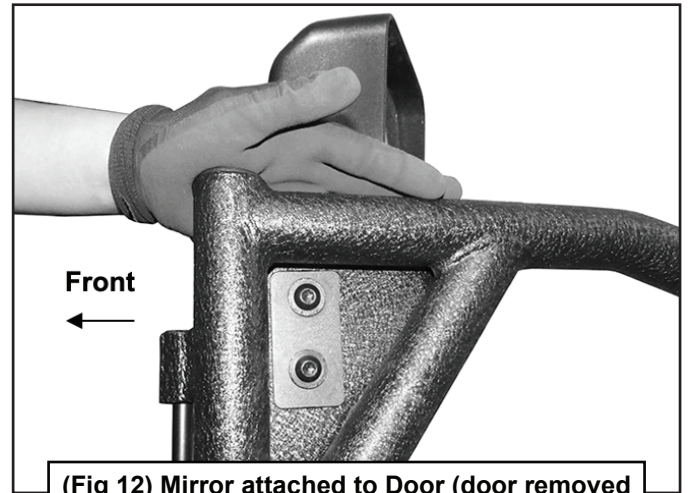
Check the Door Latch alignment to the door striker loop on the body. Use the included Thick or Thin 2-hole Spacers to line up the Latch with the center of the striker (Fig 10). Insert the Spacers between the Latch and the mounting plate on the Door as needed. Adjust the position of the Latch up or down to properly line up with the striker. Once adjusted, fully tighten all hardware.



Passenger/Right Side Installation Pictured



(Fig 10) Use Thick, Thin or both 2-Hole Spacers if necessary, to line up Latch with striker

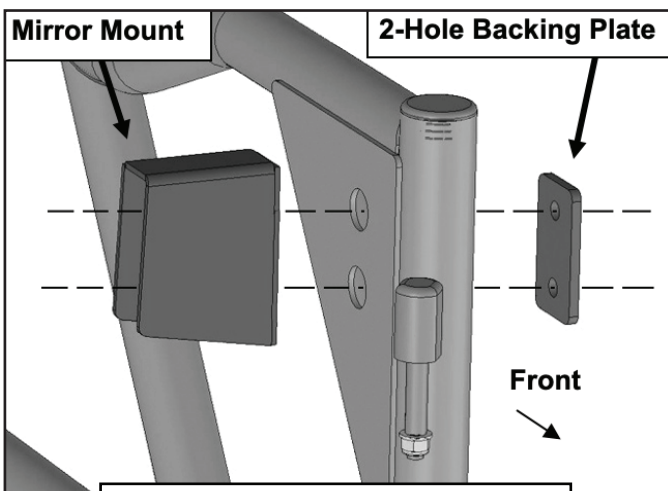


(Fig 12) Mirror attached to Door (door removed from vehicle for instruction purposes only)

STEP 14

Select (1) Mirror Mount and (1) 2-Hole Backing Plate (Fig 11). From the back of the Door, insert the factory bolts through the Backing Plate and the Door. Slide the Mount over the bolts and thread the bolts into the mirror (Fig 12).

Passenger/Right Side Installation Pictured



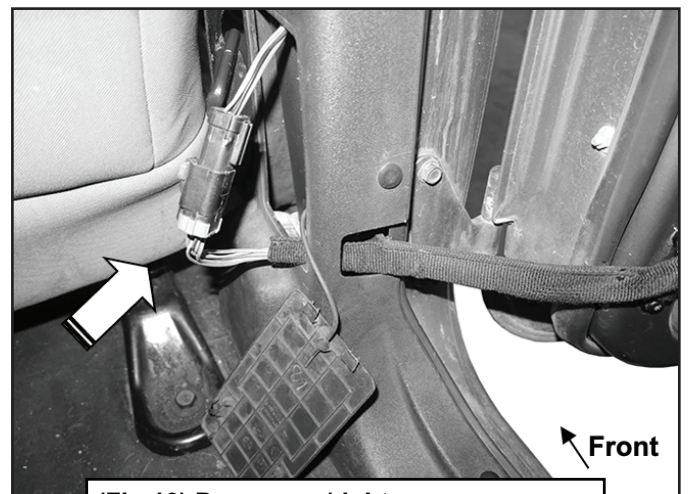
(Fig 11) Reuse factory bolts to attach outside mirror to Mount and Door

STEP 15

Open and close the Door and Latch assembly, adjust as needed and fully tighten all hardware.

STEP 16

Move to the Passenger/right Rear Door. Repeat **STEPS 1, 3-5** to remove the door (Fig 13).



(Fig 13) Passenger/right rear, open cover to unplug door wire harness (arrow)



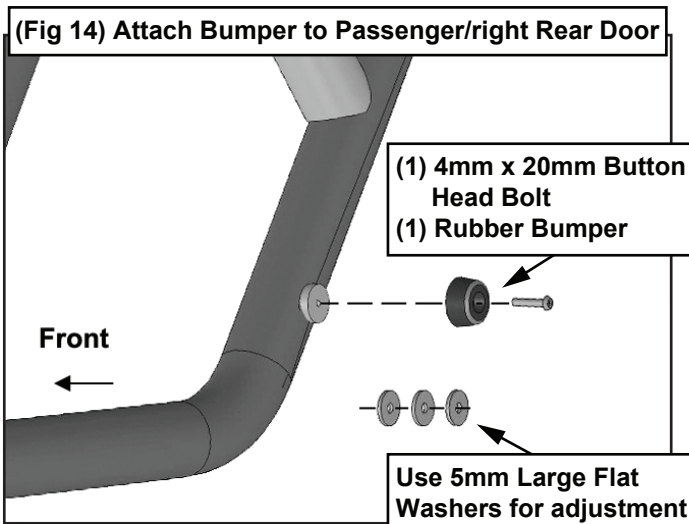
STEP 17

Select the Passenger/right Rear Tube Door assembly.

STEP 18

Repeat **STEP 6** to attach the Rubber Bumper (Fig 14).

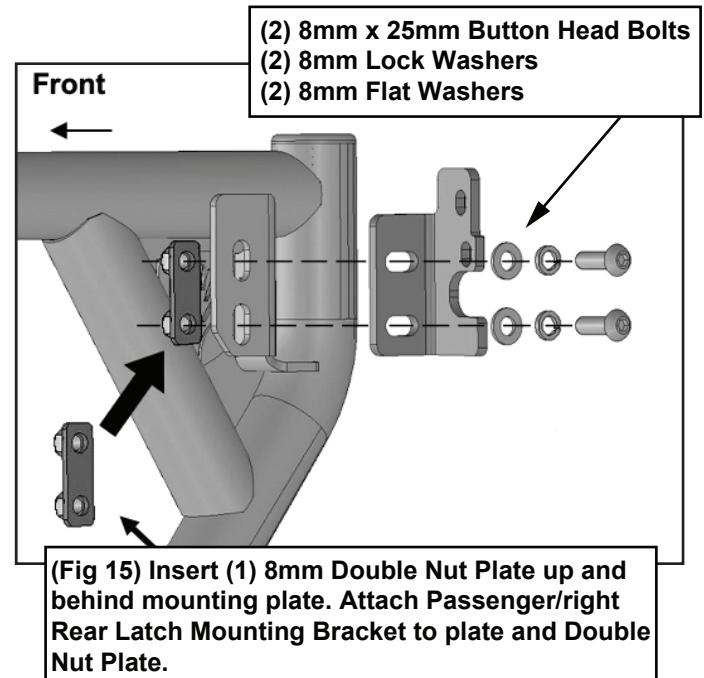
Passenger/Right Side Installation Pictured



STEP 19

Insert (1) 8mm Double Nut Plate up and behind the welded mounting plate on the back of the Tube Door. Select the Passenger/right Latch Mounting Bracket (Fig 15). Attach the Bracket to the mounting plate and Double Nut Plate with the included (2) 8mm x 25mm Button Head Bolts, (2) 8mm Lock Washers and (2) 8mm Flat Washers. DO NOT fully tighten hardware at this time.

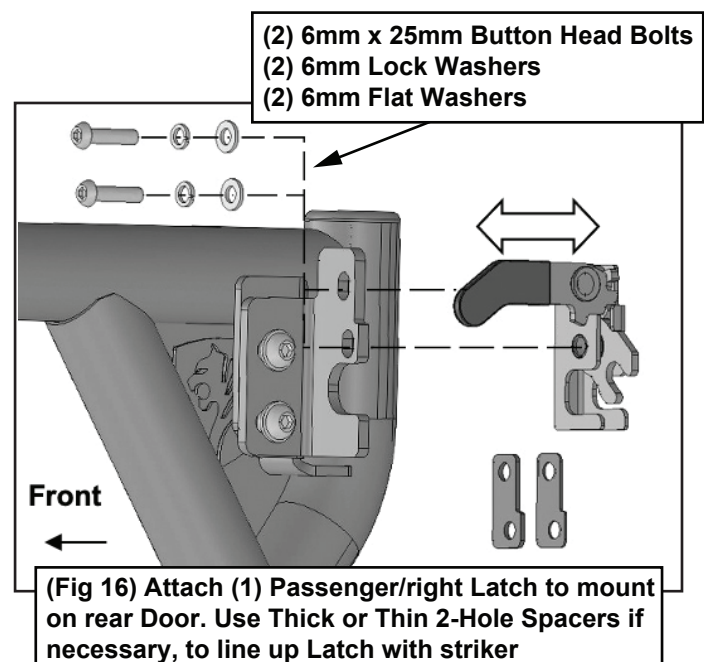
Passenger/Right Side Installation Pictured



STEP 20

Select (1) passenger/right Latch Assembly (Fig 16). Attach the Latch to the back of the Mounting Bracket with (2) 6mm x 25mm Button Head Bolts, (2) 6mm Lock Washers and (2) 6mm Flat Washers. DO NOT fully tighten hardware.

Passenger/Right Side Installation Pictured

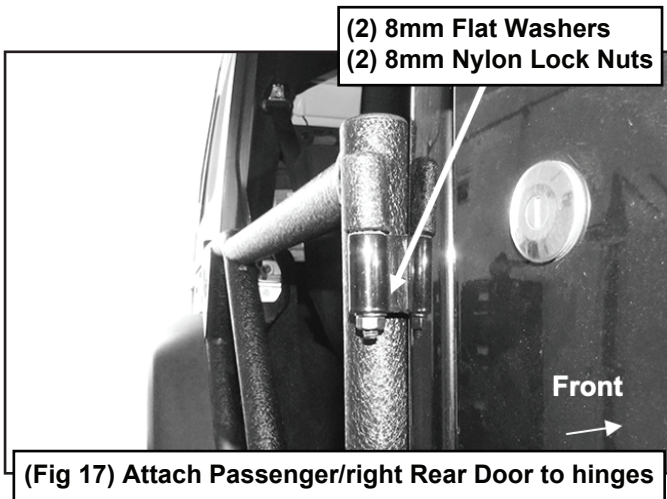




STEP 21

Repeat **STEPS 9-11** to attach the rear Tube Door (Fig 17).

Passenger/Right Side Installation Pictured



STEP 23

Move to the driver/left side of the vehicle. Repeat **STEPS 1-22** to install the front and rear Doors.

STEP 24

Do periodic inspections to the installation to make sure that all hardware is secure and tight. Periodically apply grease to hinge pins.

STEP 22

Open and close the Door and Latch assembly. Repeat **STEPS 12 & 13** to align and adjust the Door and Latch to the vehicle (Figs 14 & 16), adjust as needed and fully tighten all hardware.

Passenger/Right Side Installation Pictured

