



## RISER®

TG-RS5F50357  
TG-RS5F50358

### Parts List

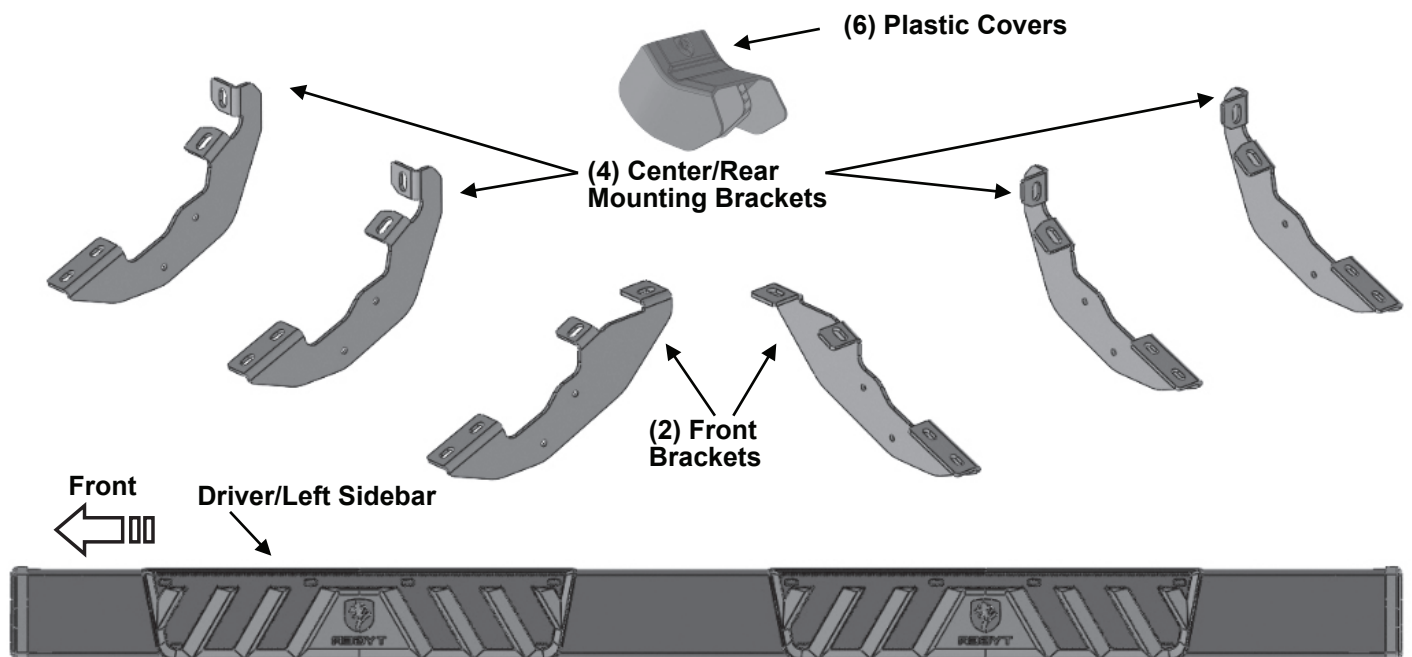
- x1** Driver/Left Sidebar
- x1** Passenger/Right Sidebar
- x2** Front Mounting Brackets
- x4** Center and Rear Mounting Brackets
- x6** Plastic Bracket Covers
- x12** Plastic Clips
- x12** 10-1.5mm x 25mm Hex Bolts
- x12** 10mm Lock Washers
- x12** 10mm x 27mm x 3mm Flat Washers
- x12** 8-1.25mm x 25mm Combo Bolts

### BEFORE INSTALLATION

READ INSTRUCTIONS CAREFULLY BEFORE STARTING INSTALLATION. REMOVE CONTENTS FROM BOX AND VERIFY ALL PARTS ARE PRESENT. FAILURE TO IDENTIFY DAMAGE BEFORE INSTALLATION COULD LEAD TO A REJECTION OF ANY CLAIM. IF MISSING PARTS OR ANY DAMAGE FOUND, PLEASE TAKE A PICTURE FOR THE CLAIM PURPOSE. TO FILE YOUR CLAIM, PLEASE VISIT: [WWW.TYGERAUTO.COM/CONTACT](http://WWW.TYGERAUTO.COM/CONTACT)

### TORQUE VALUES

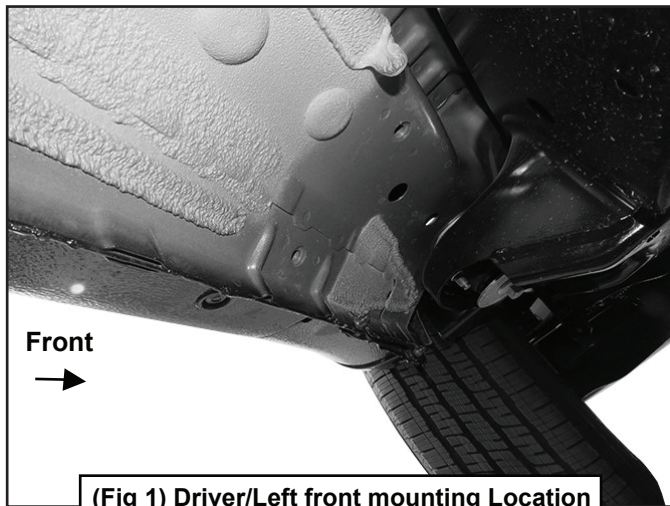
Fastener Size	Class 8.8 Torque (ft-lbs)	Class 10.9 Torque (ft-lbs)
6mm	6-7	6-7
8mm	15-16	22-23
10mm	31-32	44-45
12mm	54-55	78-79
14mm	87-88	125-126





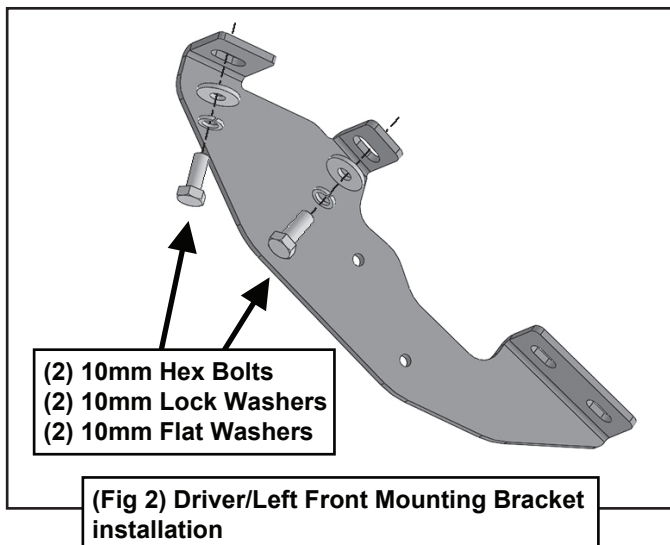
## STEP 1

Starting from underneath the Driver/Left side inner rocker panel, locate the threaded mounting holes on the rocker panel, (Fig 1).

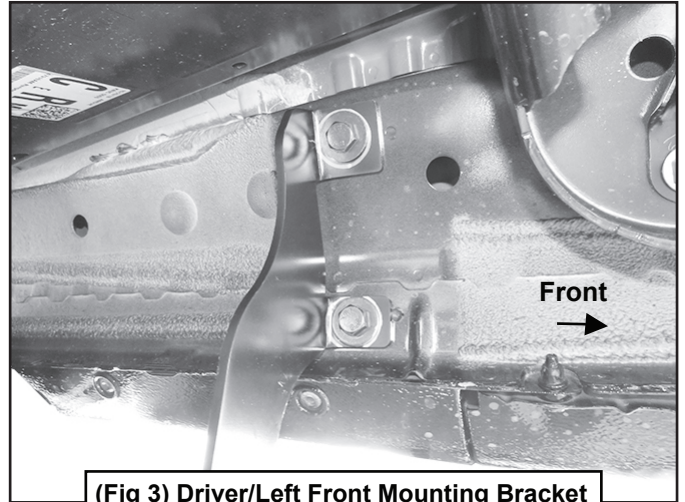


(Fig 1) Driver/Left front mounting Location

Remove the plastic plugs covering the mounting holes. Select (1) Front Mounting Bracket. Attach to Driver/Left front location with (2) 10mm Hex Bolts, (2) 10mm Lock Washers and (2) 10mm Flat Washers, (Figs 2-3). Do not tighten hardware at this time.



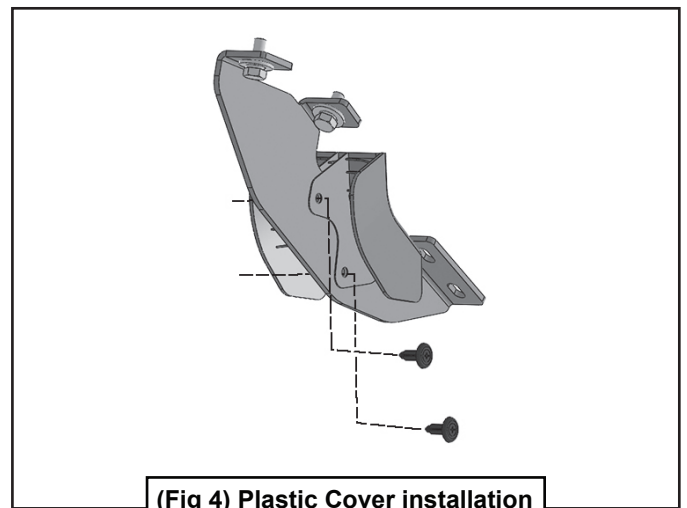
(Fig 2) Driver/Left Front Mounting Bracket installation



(Fig 3) Driver/Left Front Mounting Bracket attached

## STEP 2

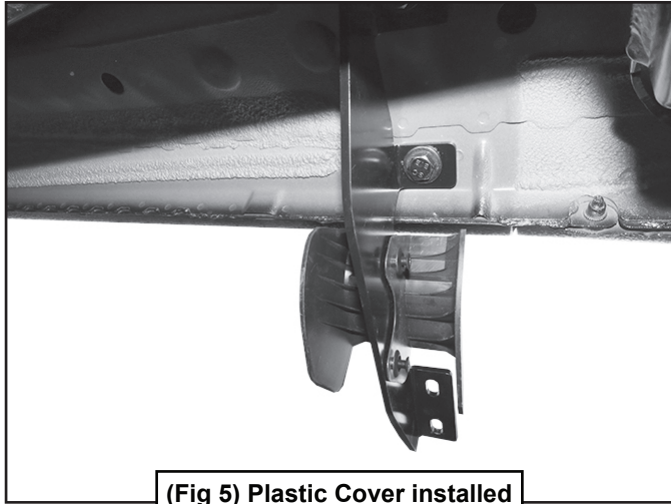
Select (1) Plastic Bracket Cover and (2) Retaining Clips. Slide the Cover over the Mounting Bracket. Line up the (2) mounting holes in the Cover with the holes in the Bracket. Insert the Clip into the holes and push center pin to expand Clip, (Figs 4-5). Repeat this Step for all Cover installations.



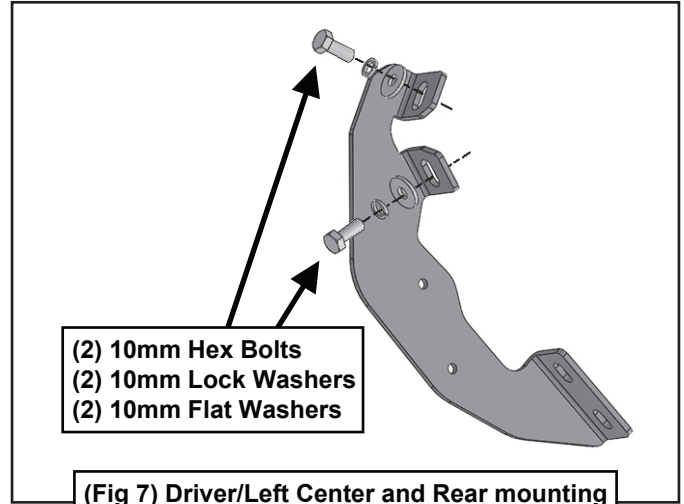
(Fig 4) Plastic Cover installation



# TYGER<sup>®</sup>



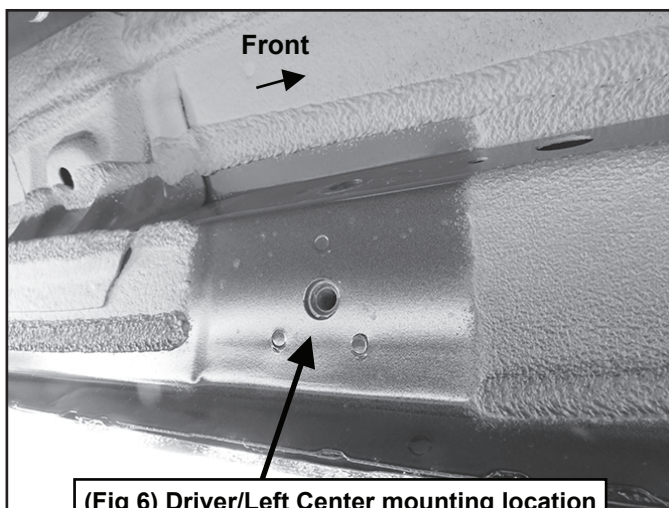
(Fig 5) Plastic Cover installed



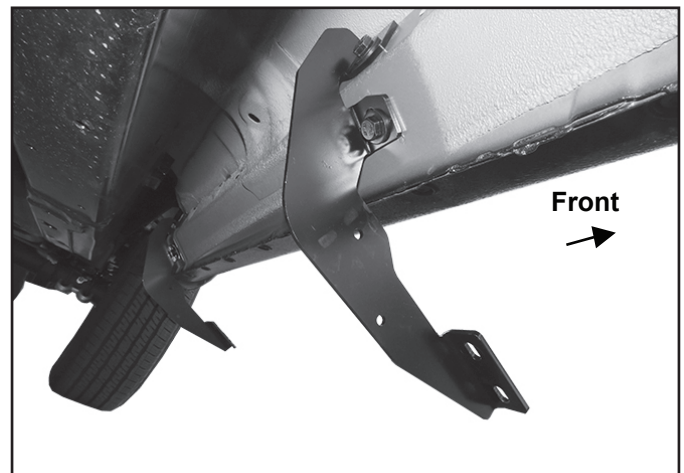
(Fig 7) Driver/Left Center and Rear mounting Bracket installation

## STEP 3

Locate the Center threaded mounting holes. Select (1) Center/Rear Mounting Bracket. Attach with (2) 10mm Hex Bolts, (2) 10mm Lock Washers and (2) 10mm Flat Washers. Repeat Step 2 to install cover, (Figs 4, 6-9) Do not tighten hardware at this time.



(Fig 6) Driver/Left Center mounting location



(Fig 8) Driver/Left Center Mounting Bracket installed



(Fig 9) Plastic Cover installed

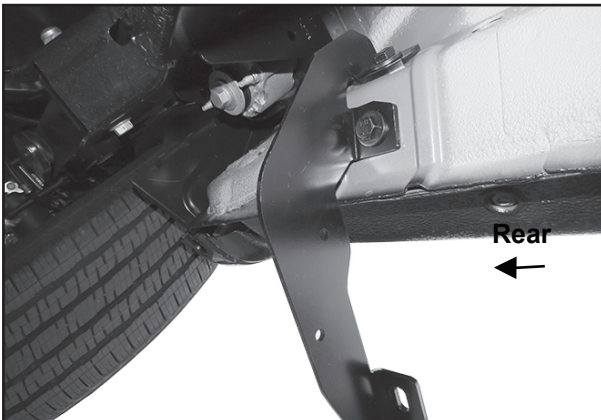


## STEP 4

Repeat Step 3 to install Rear Mounting Bracket, (Figs 4, 10-12).



(Fig 10) Driver/Left Rear mounting location



(Fig 11) Driver/Left Rear Mounting Bracket installed

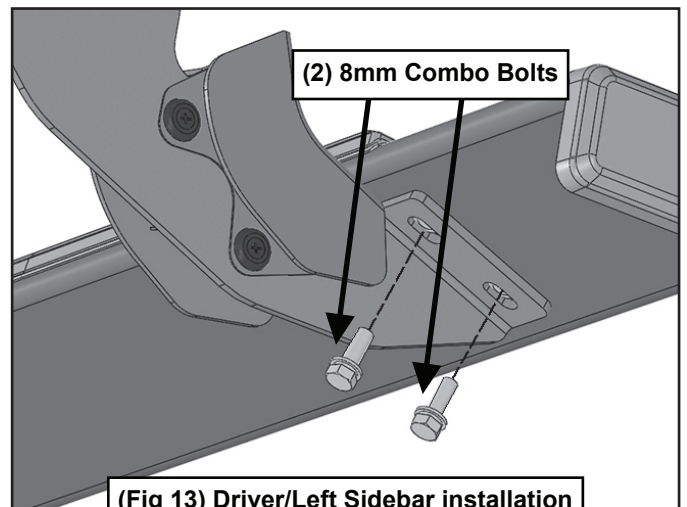


(Fig 12) Plastic Cover installed

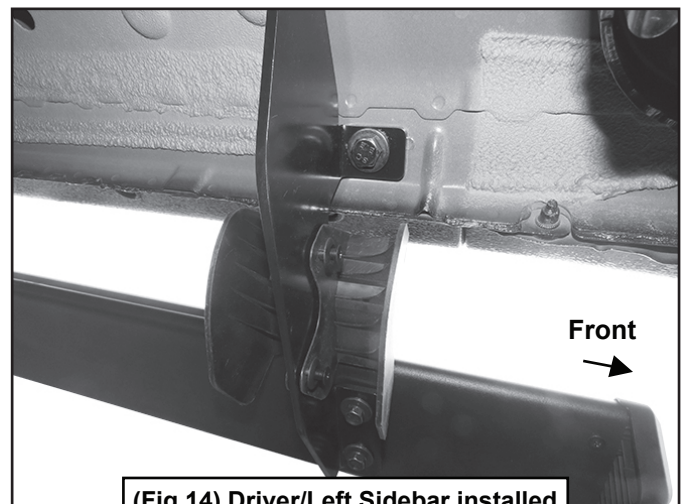
## STEP 5

Unwrap the Driver/Left Sidebar. Attach Sidebar to the mounting brackets with (6) 8mm Combo Bolts. Do not tighten hardware at this time, (Figs 13-14).

**IMPORTANT:** Do not slide Sidebar on cradles, or damage to the finish may result.



(Fig 13) Driver/Left Sidebar installation



(Fig 14) Driver/Left Sidebar installed



# TYGER<sup>®</sup>

## STEP 6

Level and adjust Sidebar and tighten all hardware.

## STEP 7

Repeat Steps 1-6 for Passenger/Right side installation.

## STEP 8

Do periodic inspections to the installation to make sure that all hardware is secure and tight.